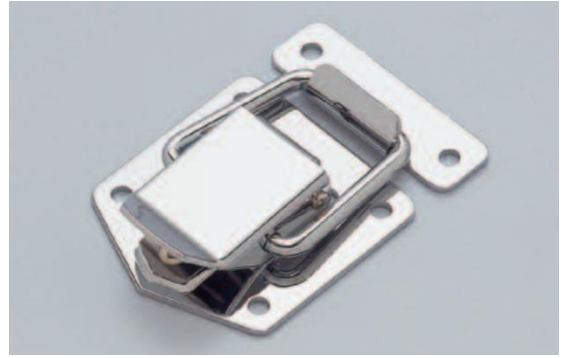
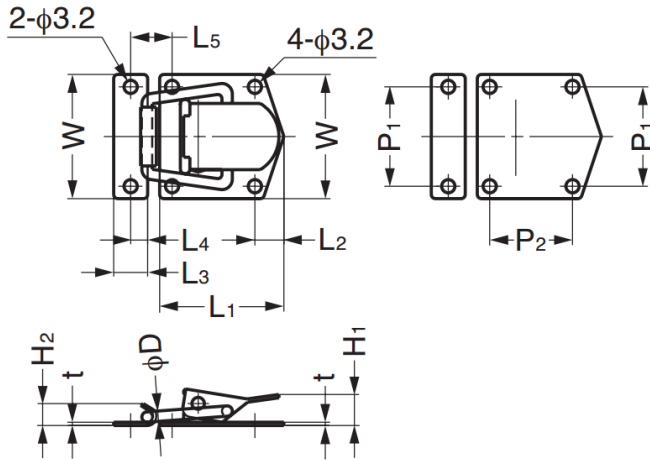


## GP3-11 / 12 Draw Latch

### Material

- Brass, chrome finish



Part No.	L <sub>1</sub>	L <sub>2</sub>	L <sub>3</sub>	L <sub>4</sub>	(L <sub>5</sub> )	W	H <sub>1</sub>	H <sub>2</sub>	t	P <sub>1</sub>	P <sub>2</sub>	øD
GP3-11	40	10	11	5.5	14	37	12	8	1.2	29	25	3
GP3-12	30	7	8	4	10	30	9.5	5	0.8	24	20	2.5

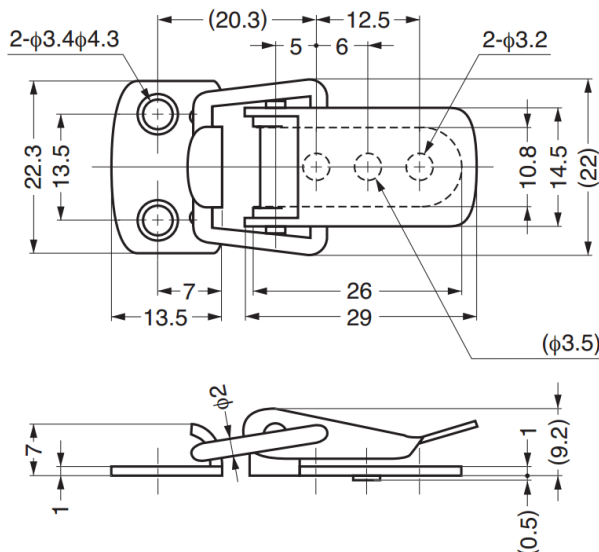
## GP8 Draw Latch

### Features

- Lever spring avoid lever to move during opening / fastening

### Material

- Steel, chrome finish



<b>Part No.</b>
GP8